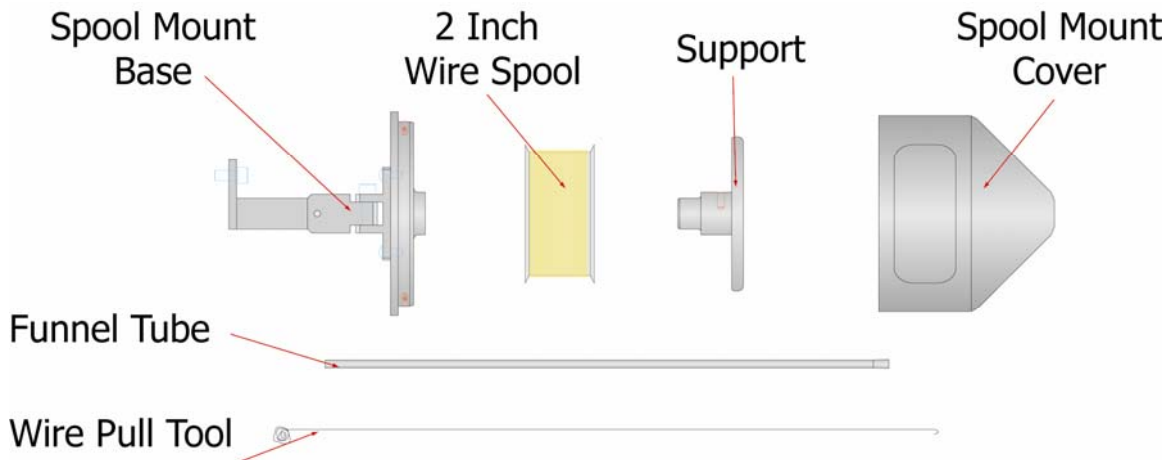


WEST·BOND® INC.

2" Spool Mount Installation

Parts List: Assy. No.: -4141.006

P/N	Description	QTY
3996.001	Mount, 2" Spool, ESD Nickel Plated	1
3997.002	Support, 2" Spool, ESD Nickel Plated	1
3998.001	Cover, 2" Spool, ESD Nickel Plated	1
3999.001	Bracket, 2" Spool Wire Guide, ESD Nickel Plated	1
4001.002	Clip, 2" Spool Wire Guide, ESD Nickel Plated	1
4140.005	Funnel, Tube Stainless Steel	1
6390.003	Bracket, Extended Leg, 2" Spool Wire Guide, Nickel Plated	1
50781	Plunger, 4-48 x $\frac{3}{16}$ " Lg Stainless steel ball with nylon locking elem	3
50782	Set Screw, "No Mar", No 8-32 x $\frac{15}{64}$ " Long	1



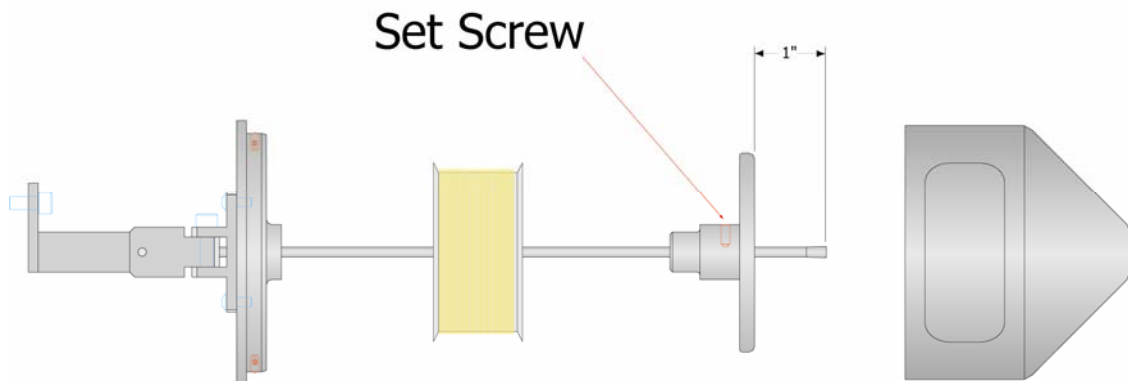
Funnel Tube Installation

Do Not touch the Support with bare fingers.

The use of a cloth or finger cots is advised, as the wire has to pass over the edge of the support and finger oils may cause the wire to hang-up and be contaminated.

Slide the Funnel Tube through the Support, Leaving about an inch of the Funnel Tube above the Support and tighten the Set Screw.

Do not over tighten the set screw this may damage the funnel !!



Wire Installation

After the Funnel Tube has been set-up, screw the Support into the Base with the Wire Spool between the two.

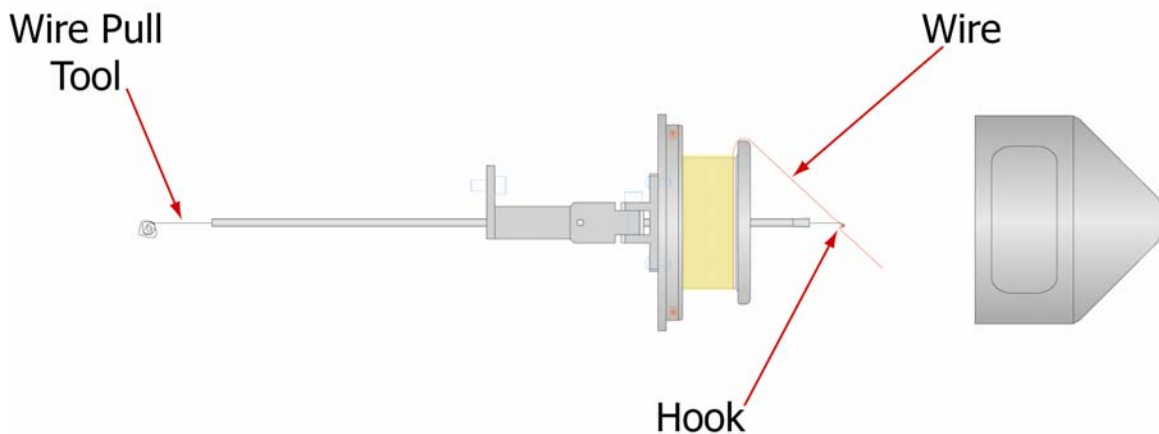
Thread the Wire Pull Tool up from the bottom of the Funnel Tube until the hook extends out of the top of the Funnel Tube.

With the Wire from the Wire Spool coming off the top of the spool, wrap the Wire around the Hook several times leaving at least an inch or two extra (this will keep the wire on the Hook when pulled through the Funnel Tube).

Carefully pull the Wire down through the Funnel Tube.

Snap on the Cover

Observe the Wire passing over the support looking for possible snags that may need to be addressed



Mounting of Spool Mount

Taped to the Extended Bracket is a 10-24 x 3/8" mounting screw. Depending on the machine to be installed on there is a mounting hole on the Microscope Yoke or the Cover behind the Yoke. Point the Funnel Tube in the direction of the Tool Head making sure there is no interference from the microscope of the tool head movement

